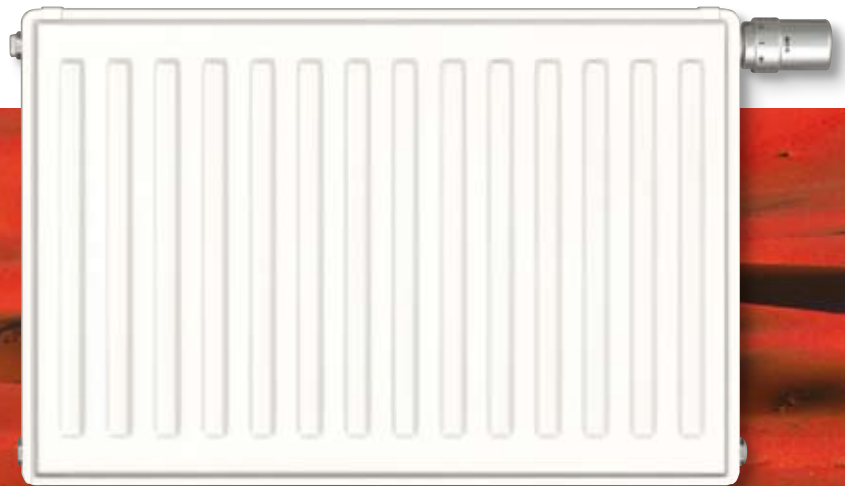




Flat radiators



heating through innovation.

## With natural perfection.

Hardly any system is as rich in finding unique ideas and as perfect in inventing **brilliant solutions** than Nature itself. Thinking and acting with the natural strive for **innovation** also forms the basis for our progressive solutions in **technology and design** of our flat radiators. Solutions that efficiently combine **ecology and economy** and meet all heating needs of the future.



**heating through innovation.** – Come with us and discover a completely new world of warmth. Not only does our current range of flat radiators combine **innovative designs** with first-class technology, but it also offers the advantages you expect from us, with our **unique package of services**. The high heating capacity and energy-saving function of the flat radiators reflect nature's economic way of solving problems. At the same time they create a perfectly comfortable indoor climate. So, read on and be inspired by our innovative flat radiators.

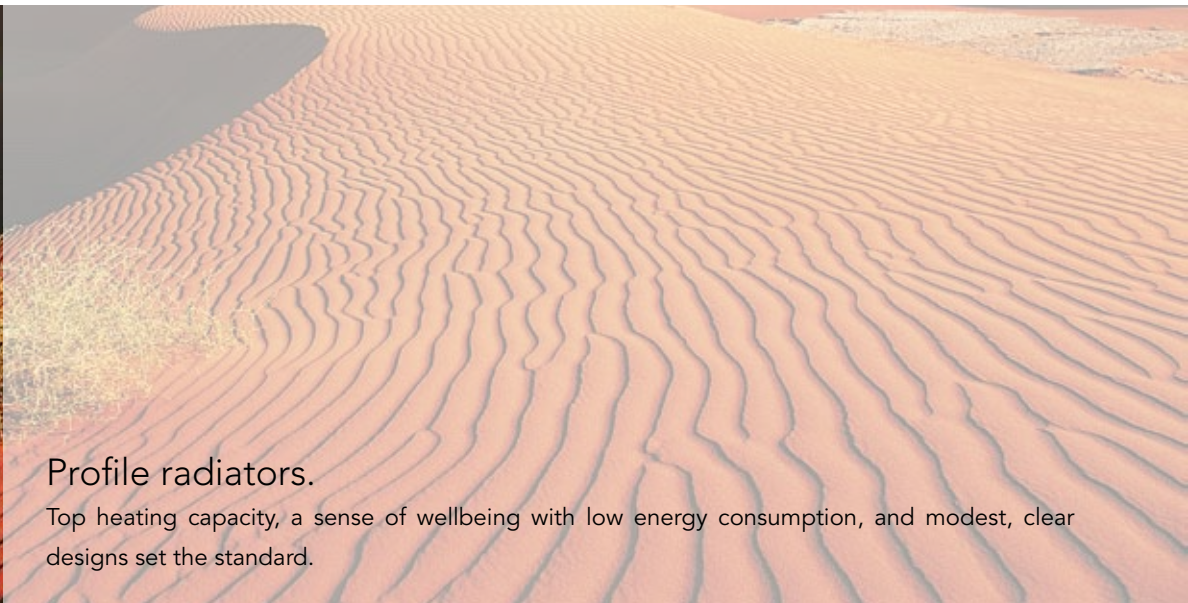
More technology. More service.





### Plan radiators.

The absolute calm of the flat surface is combined with ultra-modern heating technologies.



### Profile radiators.

Top heating capacity, a sense of wellbeing with low energy consumption, and modest, clear designs set the standard.



Cloakroom



Living room



Kitchen



Bathroom



Bedroom



Children's room



Office



Leisure

Our range of flat radiators offers you the appropriate radiator for any living area. The icons shown above serve as an aid to orientation and will accompany you throughout this brochure.



**T6 PLAN CENTRALLY CONNECTED RADIATOR 06**



**T6 CENTRALLY CONNECTED RADIATOR 08**

**COMPACT RADIATOR 10**  
**MULTIFUNCTION RADIATOR 10**

**VERTICAL RADIATOR 12**

**HYGIENIC RADIATOR 14**

**MODERNIZATION RADIATOR 16**

Accessories 18

Model overview 20

Product description & scope of delivery 22

Colour board 23



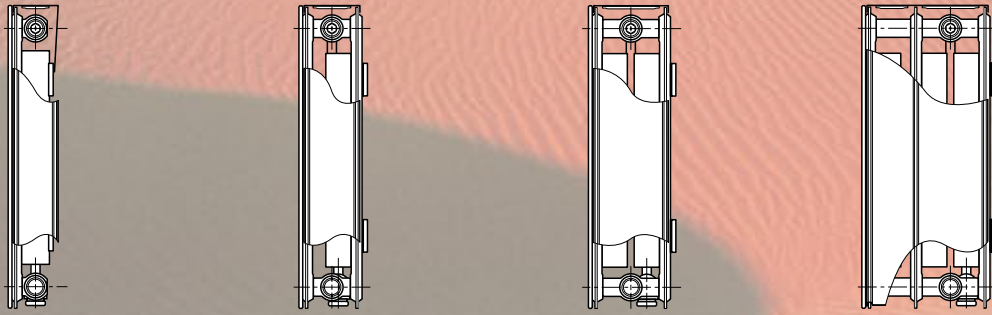
## T6 PLAN CENTRALLY CONNECTED RADIATOR.



quiet, smooth,  
puristic.

**Product advantage**  
**T6 PLAN CENTRALLY**  
**CONNECTED RADIATORS**  
with easy-to-clean smooth front surface.





Dimensions in mm.

Type	11 PM					21 PM-S					22 PM					33 PM				
	single-layered with one convector plate					two-layered with one convector plate					two-layered with two convector plates					three-layered with three convector plates				
	300	400	500	600	900	300	400	500	600	900	300	400	500	600	900	300	400	500	600	900
	up to 2400		up to 2600		up to 2000	up to 2400		up to 3000		up to 2000	up to 3000		up to 2000		up to 3000	up to 2200		up to 1800		
Increments	all overall length starting with 400 mm in increments of 200 mm; additionally 520, 720, 920, 1120 and 1320 mm																			

## T6 PLAN CENTRALLY CONNECTED RADIATOR.

T6 PLAN CENTRALLY CONNECTED RADIATOR radiate **calmness** and the appearance of the puristically smooth surface. They blend perfectly into every room layout.



**Detail:**

The T6 PLAN CENTRALLY CONNECTED RADIATOR impresses with the central position of its connections and the uniform wall clearance which facilitates easy planning and installation.



## T6 CENTRALLY CONNECTED RADIATOR.

### Product advantage

The special tube arrangement in the **T6 CENTRALLY CONNECTED RADIATOR** allows the integrated valve to be replaced with a few quick turns of the hand, even after assembly.



### Product advantage

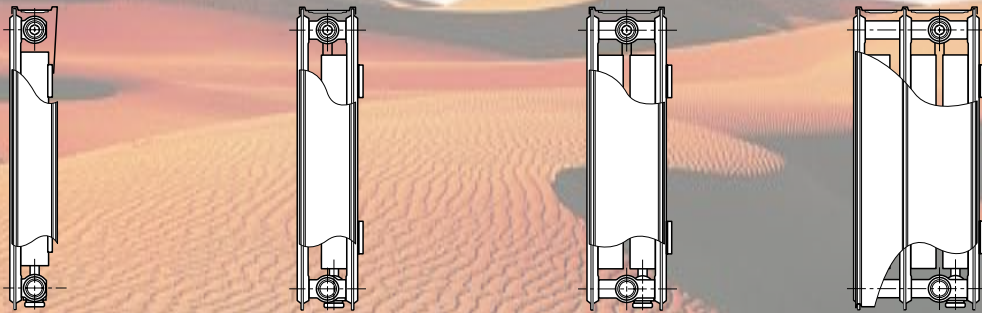
The **T6 CENTRALLY CONNECTED RADIATOR** impresses with its central connection and the uniform wall separations, which reduce the expense associated with planning and assembly.

symmetrical,  
extraordinary,  
practical.



## T6 CENTRALLY CONNECTED RADIATOR.

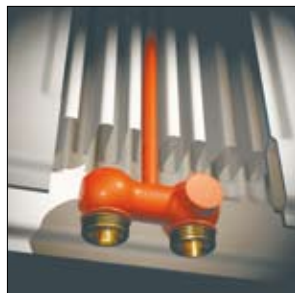
T6 CENTRALLY CONNECTED RADIATORS are the ultimate in **symmetry**, the perfect combination of design and unique patented technology. This, together with the special geometry of the convection plates, gives the T6 the best heat output in its class, enabling it to heat a room exceptionally fast and guaranteeing a maximum of thermal comfort.



Dimensions in mm.

Type	11 VM					21 VM-S					22 VM					33 VM				
	single-layered with one convector plate					two-layered with one convector plate					two-layered with two convector plates					three-layered with three convector plates				
	300	400	500	600	900	300	400	500	600	900	300	400	500	600	900	300	400	500	600	900
	up to 2400	up to 2600	up to 2000	up to 2400	up to 3000	up to 2000	up to 3000	up to 2000	up to 3000	up to 2000	up to 3000	up to 2200	up to 1800	up to 2200	up to 1800	up to 2200	up to 1800	up to 2200	up to 1800	
Increments	any overall length starting with 400 mm in increments of 200 mm; additionally 520, 720, 920, 1120 and 1320 mm																			

Profile radiators



The revolutionary T6 CENTRALLY CONNECTED TECHNOLOGY sets new standards.



modern,  
functional,  
linear.

## COMPACT RADIATOR.



**Product advantage**  
The most modern radiator technology  
combined with a clear design.

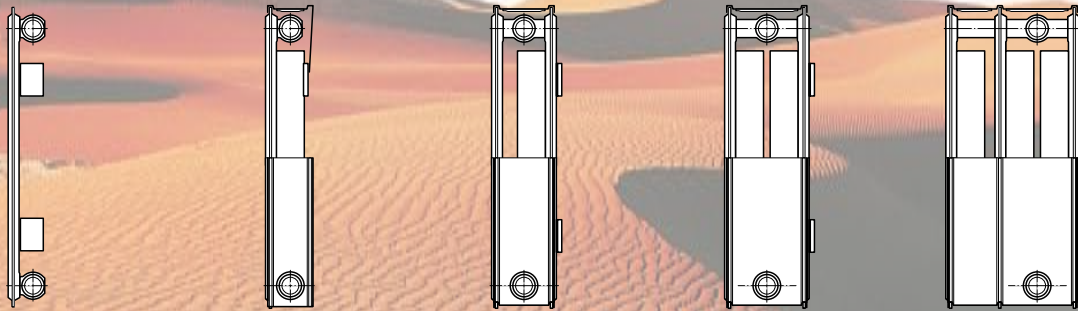


## MULTIFUNCTION RADIATORS.



## COMPACT RADIATOR. MULTIFUNCTION RADIATORS.

**COMPACT** and **MULTIFUNCTION RADIATORS** combine purity of form with advanced functionality, state-of-the-art heating technology and bold, simple design.



Dimensions in mm.

Type	10					11 K					11 KV					21 K-S					21 KV-S					22 K					22 KV					33 K					33 KV								
	single-layered										single-layered with one convector plate										two-layered with one convector plate										two-layered with two convector plates										three-layered with three convector plates								
↑ ↓	300	400	500	600	900	300	400	500	600	900	300	400	500	600	900	300	400	500	600	900	300	400	500	600	900	300	400	500	600	900	300	400	500	600	900	300	400	500	600	900									
← →	up to 1200	up to 2400	up to 2600	up to 1400		up to 2400	up to 2600	up to 2000			up to 2400	up to 3000	up to 2000				up to 3000	up to 2000	up to 3000				up to 2000	up to 3000			up to 2200	up to 2000																					
Increments	any overall length starting with 400 mm in increments of 200 mm; additionally 520, 720, 920, 1120 and 1320 mm																																																



**Detail:** Exchangeable decorative bars enable individual accents to be placed subsequently at any time.

VERTICAL RADIATOR.

conspicuous,  
tall,  
vertical.



\* **Product advantage**  
The **VERTICAL RADIATOR** allows the radiator to be installed where space is at a premium.

## VERTICAL RADIATOR.

The **VERTICAL RADIATOR** opens up a whole **new dimension** for you: Discover the verticals, and conquer the height of every room.



Dimensions in mm.

Type	10					20 K				
	single-layered					two-layered				
↑ ↓	1800	2000	2200	2400	2600	1800	2000	2200	2400	2600
← →	500 and 600					500 and 600				
Increments	any overall length starting with 1800 mm in increments of 200 mm									



**Detail:**

The **VERTICAL RADIATOR** saves space and energy.



## HYGIENIC RADIATOR.

**Product advantage**

The well-ventilated internal spaces with no awkward niches reduce dust deposits and cut down on the need for cleaning.

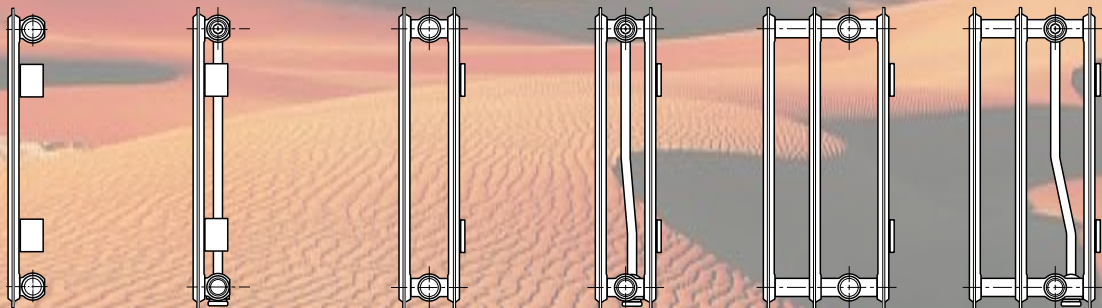


comfortable,  
dust-free,  
hygienic.



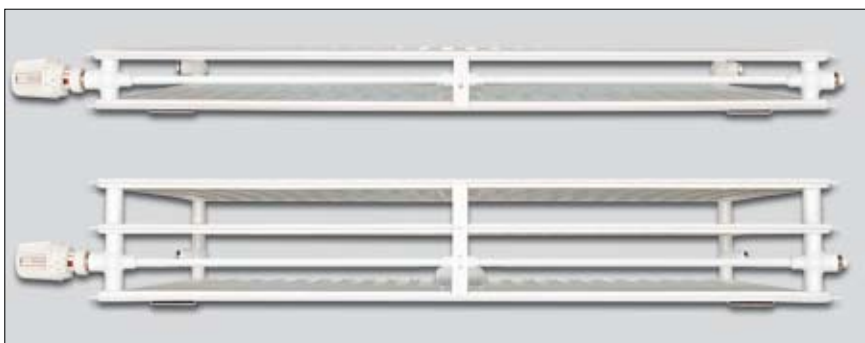
## HYGIENIC RADIATOR.

The **HYGIENIC RADIATOR** facilitates a **dust-free path** to comfortable warmth by doing away with cover plates and convector plates. This makes the series particularly suitable for hospitals and any rooms with increased hygiene requirements.



Dimensions in mm.

Type	10		10 VM			20		20 VM			30		30 VM		
	single-layered					two-layered					three-layered				
	300	400	500	600	900	300	400	500	600	900	300	400	500	600	900
	up to 1200		up to 2400		up to 1400	up to 2400		up to 3000		up to 2000	up to 3000		up to 2200		up to 2000
Increments	any overall length starting with 400 in increments of 200 mm; additionally 520, 720, 920, 1120 and 1320 mm														



**Detail:**  
The **HYGIENIC RADIATOR** is easy to clean.

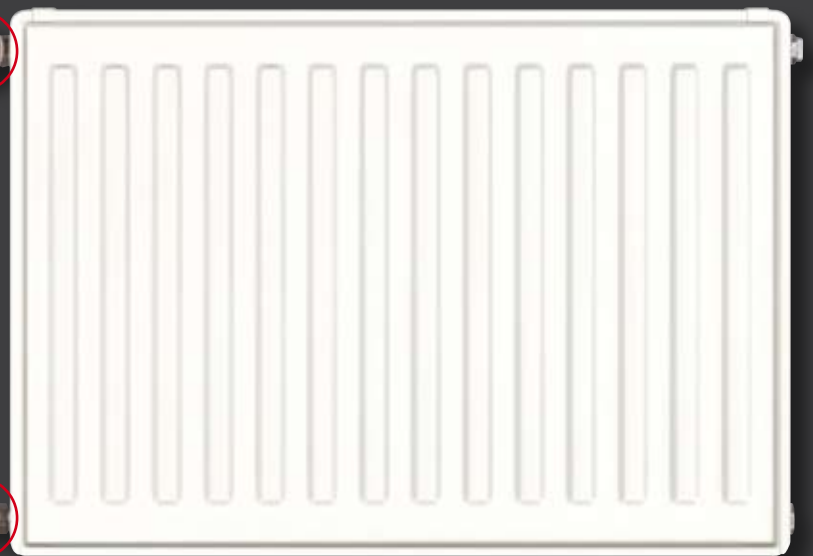


The new connections  
fit on the old ones.

## MODERNIZATION RADIATOR.

**Product advantage**

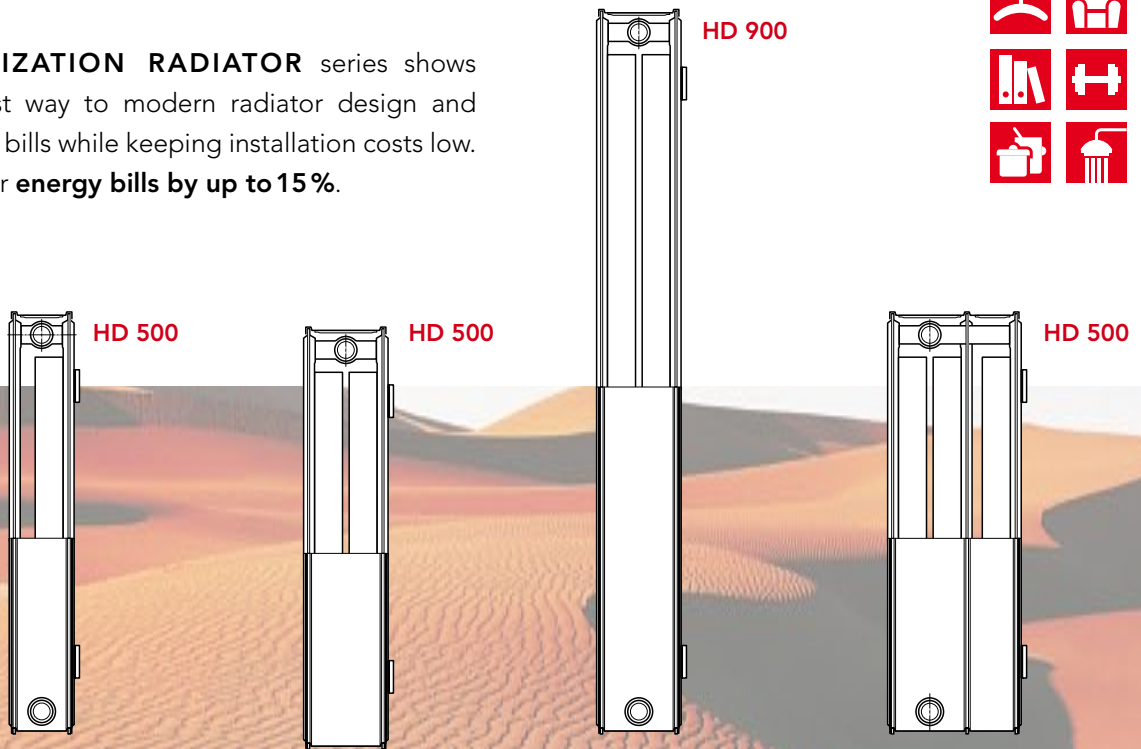
A one-for-one swap of old radiators  
can be done using the same boss  
spacings, without making a mess.



new, reduced,  
energy-saving.

# MODERNIZATION RADIATOR.

The **MODERNIZATION RADIATOR** series shows you the quickest way to modern radiator design and reduced heating bills while keeping installation costs low. They reduce your **energy bills by up to 15%**.



Dimensions in mm.

Type	21 K-S	22 K		33 K
	single-layered, with one convector plate	two-layered, with two convector plates		three-layered, with three convector plates
↑ ↓	554	554	954	554
← →	600 up to 1600	600 up to 1600	400 up to 1400	600 up to 1600
Increments	any overall lengths starting with 400 or 600 mm in increments of 200 mm			

Profile radiators



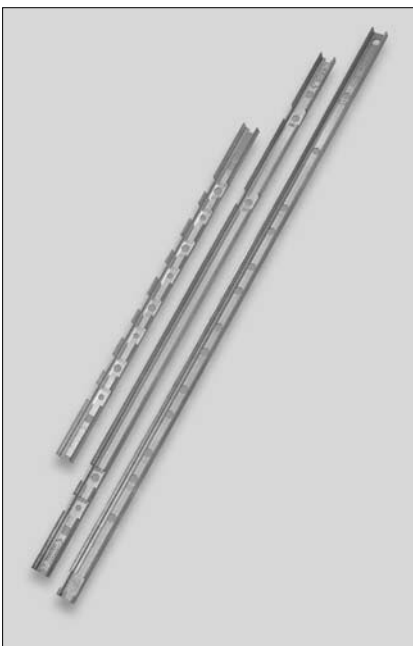
**Detail:**  
The **MODERNIZATION RADIATOR**:  
new from old.

## Accessories.



### **VONOMAT wall console**

A highly promising advantage in terms of safety is offered by the **VONOMAT wall console**, which is equipped with an integrated anti-lift retainer and an integrated position retainer. It is the ultimate in simple, fast and uncomplicated radiator installation.



### **Assembly rail set**

In combination with the **assemble angle 3/4"** external thread for installation on prefabricated and unfinished walls, the assembly rail set is used to simply and conveniently locate the attachment points for the **wall console** or the drill consoles. (The adapter plate is also required for the **assembly angle set 3/4"** external thread for installation on unfinished walls).



#### Assembly angel set 3/4" external thread for installation on unfinished walls

The **assembly template** enables complete installation of the heating pipes without a radiator. The complete pipe system can be pressure-checked, while the radiators are delivered only once building construction is complete. The assembly template is suitable for all **T6 CENTRALLY CONNECTED RADIATORS** and **T6 CENTRALLY CONNECTED PLAN RADIATORS**. Ideal for use in brick-built constructions.



#### Assembly angel set 3/4" external thread for installation on prefabricated walls

The **assembly template** enables complete installation of the heating pipes without a radiator. The complete pipe system can be pressure-checked, while the radiators are delivered only once building construction is complete. This means there is no risk of damage to the radiators. The assembly template is suitable for all **T6 CENTRALLY CONNECTED RADIATORS** and **T6 CENTRALLY CONNECTED PLAN RADIATORS**.



#### Décor clip

The décor clip is eye-catching, has an original design and does what it says. It is used to secure the top cover and lends each room its own special tone through the large colour range in RAL and sanitary colours, as well as refined surfaces, even when added at a later point in time. It is easy to remove, which in turn makes the radiator simple and straightforward to clean.

**T6 CENTRALLY CONNECTED PLAN RADIATORS**

Type	11 PM					21 PM-S					22 PM					33 VM				
Description	single-layered with one convector plate					two-layered with one convector plate					two-layered with two convector plates					three-layered with three convector plates				
Heights H [mm]	300	400	500	600	900	300	400	500	600	900	300	400	500	600	900	300	400	500	600	900
Lengths L [mm]	up to 2400		up to 2600		up to 2000	up to 2400		up to 3000		up to 2000	up to 3000			up to 2000		up to 3000	up to 2200		up to 1800	
Depth D [mm]	63					82					107					168				
Increments	any overall length starting with 400 mm in increments of 200 mm; additionally 520, 720, 920, 1120 and 1320 mm																			
	Connections: 4 x internal thread G 1/2" and 2 x external thread G 3/4", bottom centre • Max. positive operating pressure: 10 bar • Max. test positive pressure 13 bar																			

**T6 CENTRALLY CONNECTED RADIATORS**

Type	11 VM					21 VM-S					22 VM					33 VM				
Description	single-layered with one convector plate					two-layered with one convector plate					two-layered with two convector plates					three-layered with three convector plates				
Heights H [mm]	300	400	500	600	900	300	400	500	600	900	300	400	500	600	900	300	400	500	600	900
Lengths L [mm]	up to 2400		up to 2600		up to 2000	up to 2400		up to 3000		up to 2000	up to 3000			up to 2000		up to 3000	up to 2200		up to 1800	
Depth D [mm]	61					80					105					166				
Increments	any overall length starting with 400 mm in increments of 200 mm; additionally 520, 720, 920, 1120 and 1320 mm																			
	Connections: 4 x internal thread 1/2" and 2 x external thread G 3/4", bottom centre • Max. positive operating pressure: 10 bar • Max. test positive pressure: 13 bar																			

**COMPACT RADIATORS**

Type	10					11 K					21 K-S					22 K					33 K				
Description	single-layered					single-layered with one convector plate					two-layered with two convector plates					two-layered with two convector plates					three-layered with three convector plates				
Heights H [mm]	300	400	500	600	900	300	400	500	600	900	300	400	500	600	900	300	400	500	600	900	300	400	500	600	900
Lengths L [mm]	up to 1200	up to 2400	up to 2600	up to 1400		up to 2400	up to 2600	up to 2000			up to 2400	up to 3000	up to 2000			up to 3000	up to 2000			up to 3000	up to 2200	up to 2000			
Depth D [mm]	46					61					80					105					166				
Increments	any overall length starting with 400 mm in increments of 200 mm; additionally 520, 720, 920, 1120 and 1320 mm																								
	Connections: 4 x internal thread G 1/2". • Max. positive operating pressure: 10 bar • Max. test positive pressure 13 bar																								

Type	11 KV					21 KV-S					22 KV					33 KV								
Description	single-layered with one convector plate					two-layered with one convector plates					two-layered with two convector plates					three-layered with three convector plates								
Heights H [mm]	300	400	500	600	900	300	400	500	600	900	300	400	500	600	900	300	400	500	600	900				
Lengths L [mm]	up to 2400		up to 2600			up to 2400		up to 3000			up to 2000		up to 3000		up to 2000			up to 3000		up to 2200			up to 2000	
Depth D [mm]	61					80					105					166								
Increments	any overall length starting with 400 mm in increments of 200 mm; additionally 520, 720, 920, 1120 and 1320 mm																							
	Connections: 4 x internal thread G 1/2". • Max. positive operating pressure: 10 bar • Max. test positive pressure 13 bar																							

VERTICAL RADIATORS					MODERNIZATION RADIATORS																				
Type	10					20 K					21 K-S					22 K					33 K				
	Hub distance HD 446 and 546					Hub Distance HD 446 and 546					Hub Distance HD 500					Hub Distance HD 500 and 900					Hub Distance HD 500				
Description	single-layered					two-layered					single-layered, with one convector plate					two-layered, with two convector plates					three-layered, with 3 convector plates				
Heights H [mm]	1800	2000	2200	2400	2600	1800	2000	2200	2400	2600	554					554	954				554				
Lengths L [mm]	500 in 600					500 in 600					600 up to 2000					600 up to 2000	400 up to 1600				600 up to 2000				
Depth D [mm]	46					80					80					105					166				
Increments	any overall lengths starting with 1800 mm in increments of 200 mm										any overall length starting with 400 mm in increments of 200 mm														
	Connections: 4 x internal thread G 1/2". • Max. positive operating pressure: 10 bar • Max. test positive pressure 13 bar										Connections: 4 x internal thread G 1/2". • Max. positive operating pressure: 10 bar • Max. test positive pressure 13 bar														

HYGIENIC RADIATORS/T6 HYGIENIC RADIATORS																														
Type	10					10 VM					20					20 VM					30					30 VM				
Description	single-layered					two-layered					two-layered					three-layered														
Heights H [mm]	300	400	500	600	900	300	400	500	600	900	300	400	500	600	900	300	400	500	600	900	300	400	500	600	900					
Lengths L [mm]	up to 1200		up to 2400			up to 2600		up to 1400			up to 2400		up to 3000			up to 2000		up to 3000		up to 2200			up to 2000							
Depth D [mm]	46					80					80					166														
Increments	any overall length starting with 400 mm in increments of 200 mm; additionally 520, 720, 920, 1120 and 1320 mm																													
	Connections: 4 x internal thread G 1/2". Connections for T6 hygienic: 4 x internal thread G 1/2" and 2 x external thread 3/4", bottom centre Max. positive operating pressure: 10 bar • Max. test positive pressure 13 bar																													

## Product description & scope of delivery

**VOGEL&NOOT** flat radiators are high-quality designer products which are outstandingly suitable in all areas thanks to the choice of connection and living situations available. Each model gives each area of application its own personal note. You can choose from between the following models:

### T6 CENTRALLY CONNECTED PLAN RADIATOR

This product proves itself in two important areas simultaneously: the design of its elegant, flat front and its flexible connection options. Here as well, the ready-to-connect product is supplied as a centre connection radiator with a factory sealed thermostatic valve, bleed, blind and special vent plugs, a top cover and closed side parts and in a special ready-to-assemble pack. Can be used in single-pipe and double-pipe systems and with universal connection options.

### T6 CENTRALLY CONNECTED RADIATOR

The radiator is a ready-to-connect product with high-quality centre connection technology, supplied with a factory sealed thermostatic valve, bleed, blind and special vent plugs, a top cover and closed side parts and in a special ready-to-assemble pack. Fits single- and double-pipe systems, and can be used universally as a centrally connected valve radiator and compact radiator.

### COMPACT RADIATOR

This product is noted for its simplicity. It is easy to connect via 4 x internal thread 1/2" and is comes in versions for single-pipe and double-pipe systems. The radiator is delivered with a top cover and closed side parts and comes in a special ready-to-assemble pack.

### MULTIFUNCTION RADIATOR

This radiator is a ready-to-connect product with factory-sealed thermostatic valve, bleed, blind and special vent plugs, a top cover and closed side parts, delivered in a special ready-to-install pack. Fits single and double-pipe systems and can be used universally as a valve or compact radiator.

### VERTICAL RADIATOR

If you are short on space, then go for the vertical option. This version is noted for the small amount of space required and easy cleaning. It can be used as a compact radiator. The Type 20 radiator is supplied with side panels in a special ready-to-assemble pack.

### HYGIENIC RADIATOR

This product is noted for its clean function. Easy cleaning and maintenance are possible without convection panels and covers. This product is available as a compact radiator and also as a centrally connected valve radiator. The valve model comes with a factory sealed thermostatic valve, bleed, blind and special vent plugs, while both variants come in a special ready-to-assemble pack.

### MODERNIZATION RADIATOR

New from old. Here, the modernization radiator is the right product for you. Place the new radiator 1:1 on the old connectors, and you've completed the upgrade. Very little work and hardly any dirt; just great energy savings instead. This product is available in a compact version, and is supplied with a top cover and closed side parts.

### Operating conditions

The maximum operating temperature for all flat radiator models is set at 110°C.

### Surface finish

High-quality, eco-friendly double coat of paint to DIN 55900, ready painted with an electrostatically applied powder coating.

### Strong brands of highest quality

**VOGEL&NOOT** offers its customers strong brands with the highest quality standards. The production processes at all manufacturing locations are ISO certified. The quality and performance specifications of **VOGEL&NOOT** flat radiators are constantly checked and confirmed by recognised European institutes.

These quality symbols, found on all **VOGEL&NOOT** flat radiators, offer you reassurance in terms of heating capacity and product quality.



**Sanitary-ware colours.**


**Standard colours.**


**Metallic colours.**


The colours shown here are not binding. Chromatic aberrations are possible due to typographic reasons. Additional colours are available on request!



**heating**through**innovation.**